

FOP FLORIDA ON PATROL

Jul/Aug 2009

From the President



In this issue:

President's
Message

Skye Henning

Supreme Court on
Residency Ruling

Vests to the Rescue

Operation Patriot

Protective Searches

Making Homes
Affordable Program

Reid Investigator
Tip

Report of the 59th Bi-Annual National Fraternal Order of Police Conference in Long Beach, California August 16th to August 21, 2009

The Grand Lodge Fraternal Order of Police 59th Bi-Annual National Conference Executive Board, National Trustees and over 3000 Delegates met in Long Beach, California to conduct business of the Grand Lodge.

The Florida Delegation of 111 Delegates and 6 Alternate Delegates were in attendance. Our delegation met in caucus each morning preceding the business sessions and our state was well represented.

Florida State Lodge President and National Trustee Cuba attended the Pre Conference Elected Board meeting on Sunday, August 16th. Of importance at this meeting, the FOP National Secretary and National President reported that an agreement had been reached with the giant internet web site "EBay" to remove and restrict any Fraternal Order of Police merchandise offered for sale on EBay that would identify the owner as an FOP member. FOP members who find an item on EBay can now report the item and it will be removed. The National Secretary will be vigilant in protecting our trademark and logo. EBay made a donation of \$10,000.00 to the National FOP Foundation in support of the FOP.

Sunday afternoon the Eastern Regional Labor Coalition states met with President Preston representing Florida. The State President of Massachusetts presented and introduced Cambridge Police Sergeant James Crowley who would be at the National Conference all week. The City of Cincinnati made a presentation bid to host the 2013 National Conference. Several candidates from National office came and spoke to the member states.

The EXPO center opened with several hundred vendors present to demonstrate their law enforcement products.

On Monday morning the opening ceremony officially began the National conference.

Florida On Patrol Mar/Apr 2009

President
James Preston
1st Vice President
Lonnie Miller
2nd Vice President
Armando Aguilar
Secretary
Kenny Mack
Treasurer
Tom Bonney
Conductor
Larry Lockwood
Inner Guard
Bill Trushel
Outer Guard
Donna Suereth
Chaplain
Terri Straw
Immediate Past President
James Mann
Chairman of Trustees
Bruce Porter
National Trustee
Nelson Cuba
Parliamentarian
William Corser
District 1 Director
Rob Bell
District 2 Director
Mark Harris
District 3 Director
Gene Leonard
District 4 Director
Kelly Shifflett
District 5 Director
Ralph J. Dean, Sr.
District 6 Director
Robert Jenkins
District 7 Director
Kevin Carlucci
Communications
Ralph J. Dean
Editor
Sarah Preston

Florida State Lodge
Fraternal Order of Police
242 Office Plaza
Tallahassee, Fl 32301
Phone: (800) 873-3671
Fax (954) 724-4170

info@floridastatefop.org
www.floridastatefop.org

Sergeant James Crowley was introduced to all of the assembled delegates and received a long standing ovation. Sergeant Crowley was sworn in the next day by National President



(l-r) Chuck Canterbury, "Ziggy" Quinn, president Massachusetts State Lodge, Sergeant James Crowley

Chuck Canterbury in front of the entire conference as the newest FOP member. Sergeant Crowley remarked that his recent national incident had been extremely difficult on him and his family and he praised the FOP as the organization that immediately came to his support.

President Canterbury reported on the progress of the Senate bill currently pending that will provide "collective bargaining rights" to all public safety officers across the nation. While the state of Florida enjoys the right to bargain contracts, there are officers in many states that are prohibited from engaging in labor negotiations. The federal bill has cleared the House of Representatives and is

expected to pass the Senate during this term. President Obama has expressed support for the bill and his signature will create new law across the country allowing all officers the right to collective bargaining. Those states now prohibited are preparing in advance with FOP education and training for the day this right is extended to all of our members.

The Florida Delegation learned that Miami Police Officer Rolando Rodriguez, Miami Lodge #20 had been involved in a serious traffic accident in his police cruiser. He had become impaled on a post. His vehicle had to be cut open and a trauma surgeon airlifted to the crash scene to perform surgery on the scene. Officer Rodriguez remains in critical but stable condition and is expected to recover. President Preston reported the crash to the conference.

On Tuesday Evening, Boca Ration Delegate, Officer Craig Carminati was sucker punched by a local gang banger in front of the Conference Center. Thanks to Melbourne Officer Sean Riodian, George Hachigian and Mike Coviello one of the attackers was apprehended and held for the Long Beach Police. The responding Long Beach officers did a great job and the thug was hauled off to jail.

Wednesday we learned of the tragic death of Tampa Police Corporal Mike Roberts who had been shot and killed while investigating a suspicious person in Tampa. Once again, President Preston informed the conference of the terrible news.

continued on page 3

The Florida State Lodge Communications Committee and your newsletter editor are looking for newsworthy contributions to share in the "Florida On Patrol" newsletter. If you have any local news articles, lodge information or important functions happening, please send the information to editor@floridastatefop.org to be included in the next edition of the newsletter.

We are looking to expand the online newsletter to include advertisements from members or local businesses, associates or others interested in sharing their business information with our 20,000 members. Advertising rates will be competitive and available on request. Discounts for active members and associates with their own businesses. ★

continued from page 2

Two officers for the National Elected Board were contested. Candidates for National Vice President were incumbent Dave Hillard from Michigan and the Challenger was Martin Scott, President of the Kentucky State Lodge. For the office of National Secretary the candidates were incumbent Pat Yoes and challenger John “Rodney” Bartlett, President of the Maryland State Lodge. The rest of the incumbent candidates were unopposed.

Each afternoon, training sessions and seminars were conducted to increase awareness and provide educational opportunities to the delegates. Many Florida delegates took advantage of the training.

Several National Constitutional By-laws were introduced that would have changed the way the National officers salaries were determined. The delegates rejected these changes. A by-law change that passed will allow National Trustees elected in their home state prior to the National Conference to be seated at the opening of the Conference instead of at the close of the conference. In Florida, our National Trustees elected at the June Conference immediately preceding the National Conference. Florida supported this change.

Since the by-laws addressing the National Officers salaries was defeated, a resolution to provide a on time bonus to the officers was introduced by Illinois Trustee Bill Nolan and passed by the delegates since the next opportunity to address salaries would be the conference in two years. The National President, National Treasurer and National Secretary will receive a bonus of \$10,000, while the National Vice President, National Sergeant at Arms, National Second Vice President and National Chairman of Trustees would receive a bonus of \$5,000 each. The Florida Delegation supported this resolution and Miami Lodge #20 delegate Harry Lechner spoke in favor for our delegation and received a hearty round of applause for his words.

The four Cities bidding for the 2013 conference site were, Cincinnati, Dallas, Virginia Beach and Louisville. Each city made a presentation to the conference.

Thursday morning voting for National Officers and the Host City for 2013 was held. The results of the election were:

- National President—Chuck Canterbury, unopposed
- National Secretary—Pat Yoes returned to office
- National Trustee—Tom Penozza, unopposed
- National Vice President—Dave Hillard returned to office
- National Sergeant at Arms—Tim Downs, unopposed
- National 2nd Vice President—Frank Gale, unopposed
- 2013 Host city will be Cincinnati, Ohio

The Florida Delegates were attentive and represented our great state very well. There were several new delegates that had never attended a national conference before. I believe they came away with a much broader understanding and scope of the FOP across the nation and enjoyed the experience. I hope they continue their involvement in the FOP and thank them for attending. There were many discussions and reports from National Committees that our delegates will take back to their local lodges to share with the membership.

continued on page 4

continued from page 3

Brother Mark Harris had been designated to handle our rooming needs at the Westin Hotel and he did an excellent job. The delegates and I appreciate all the work Mar did in making the arrangements. Charlotte County Lodge #66 President Robbie Robbins worked each day at the National Credentials booth making sure our credential needs were met and assisted the national office staff in this important function. Thanks to Robbie for his hard work. We also extend a tank you to the California State Lodge President Roger Mayberry and his team of members who worked so hard to make this conference such a great success.

Prior to the post-conference board meeting held on Friday, the National Trustees met to elect a chairman. Chairman Mike Burnett of Wyoming was replaced b newly elected Chairman Joe Perkins of Oklahoma Florida's National Trustee, Brother Nelson Cuba did a great job represent our state throughout the conference.

The 60th Bi-Annual Conference will be held in Salt Lake City, Utah in 2001. I want to thank all of the Florida leadership, delegates and alternates for their dedication and support of the FOP. Each did a great job representing you and you can be proud of them all.

On Tuesday, I sadly attended the memorial service of Tampa Police Corporal and Tampa Police Lodge #27 member, Mike Roberts. Once again, we are reminded of the dangers of our profession. Please keep Mike's family in your prayers and wish for a speedy recovery for Miami Officer Rodriguez.

And on a side note, many of our members traveled to the Ronald Regan Presidential Library and Memorial in Simi Valley. The locations atop a mountain overlooking the valley below was a breathtaking vista and I can see why President Reagan loved this place. I was greatly impressed with the exceptional library, Air Force One, Marine One, the many memories of President Reagan and the Oval Office. I encourage everyone who has the opportunity to visit this site to stop and remember President Reagan.

Fraternally
James W. Preston, President
Florida State Lodge



Florida Delegates **Gene Leonard**, Lodge 70, **Paul Blanchard**, Lodge 66 and National Trustee **Nelson Cuba**, Lodge 5/30 on the convention floor with the Florida Delegation listen to Committee Reports. Florida State Lodge Vice President **Lonnie Miller** at the Conference with Tampa Police Lodge 27 delegates as voting begins.

SKYE HENNING 2008 USAG FLORIDA STATE BARS CHAMPION

Skye was discovered in a little gym in Crawfordville, Florida, a small town in the Panhandle of Florida. International Gold's Gymnastics coaches Sasha and Olga Babahkina offered her a spot on their USAG team, and took over her training. When Skye started with IGG, she had only 9 months of experience and it is a credit to the incredible coaching skills of Sasha and Olga, that in just 11 months they took her to the state championships. Winning 1 gold and 3 silver medals. Skye trains 4 hours a day 5 days a week, during the school year and managed to maintain a straight A report card.

Thanks to the Florida Fraternal Order Of Police and all of it's officers, Skye will start competing for a spot at state on September 24, 2009. She has trained all summer with four hours of gymnastics 5 days a week, 2 hours of Russian Ballet one day a week, and 2 hours of individualized training twice a week. Her summer was hectic and filled with training, instead of beach parties and sleeping in. She was overwhelmed at the generosity of the officers, and is now nervous about not letting anyone down. Never taking the easy path, Skye will compete twice this year both in the fall and spring... She is in a crash course preparing her for what is known as Optional Gymnastics, which will allow her to compete at National's, when she is 16. Skye and her mother, wish to thank the members of the FOP for sponsoring her for the 2009 Season. Thanks to your support she has the funding for all of her state qualifiers and state.... For the next 2 years....



Skye Henning and Larry Lockwood



FOP APPLAUDS OHIO SUPREME COURT ON RESIDENCY RULING

Columbus, Ohio, The Fraternal Order of Police of Ohio, Inc. applauds today's decision by the Ohio Supreme Court to uphold state law barring cities from requiring employees to live within city limits.

IN a 5-2 decision announced today the Ohio Supreme Court affirmed R.C.9.481 that "no political subdivision shall require any of its employees, as a condition of employment, to reside in any specific area of the state", pursuant to the authority granted by Section 34 of Ohio's constitution.

"The residency requirements imposed union employees by cities around the state were totally antiquated" commented Nick DiMarco, State President of the Fraternal Order of Police. "Not only did they decrease the pool of quality employees within a city for hiring but they also created numerous hardships on families trying to make an honest living in Ohio" said DiMarco. This decision is a culmination of a long term effort to provide our members with the basic right to live where they choose.

As Ohio's largest association of law enforcement professionals with over 26,000 members, The Fraternal Order of Police are committed to improving the working conditions of those who dedicate their lives to protecting our communities and to improving the safety of those we protect. ★

2009 Florida State Lodge Scholarships Winners

Congratulations to the 2009 Florida State Lodge Scholarship Winners announced at the June Conference in Orlando and presented with their certificates and checks. Each student did an outstanding job. We know they have bright futures.



State President James Preston and Steven Lerner

Eric R. Krivensky

Matthew S. Davidson

Megan E. Morrison

Anthony C. Carminati

Steven I. Lerner

Jalesa D. Owens

BraveryBadge.com
A DIVISION OF
Code 3 Promotions
Custom Imprinted Promotional Products

Bravery: The ability to confront fear, pain, danger, uncertainty and intimidation.

MINIATURE FAMILY BADGES

Duty Badges & Insignia made by:

SMITH & WARREN.
Built With Care. Worn With Pride.

**Contact us for Local FOP Lodge
Fundraising Opportunities**

1-877-256-8413 • www.BraveryBadge.com

FOP REPRESENTATION

I would like to thank the Fraternal Order of Police for their representation over the years. I have been involved with Law Enforcement for approximately 10 years, I have needed by fair share of representation during that time. It has been a pleasure knowing that the FOP will protect and serve its members with the same vigor Officer due their jobs daily.

John Puleo has been my FOP representative for most of those years. John has always been a straight shooter and informative about each incident I have been involved with. Because I am a very highly productive individual, I have reaped my share of complaints on Traffic stops. John always told me the more tickets I write the more complaints I was going to get. He was right, but he was always there to protect my rights as an Officer. John has been a steadfast member of the Law Enforcement Community at Lauderhill PD. He may be rough around the edges but he sure gets the job done.

Anthony Livoti and I first met a year ago during the arbitration hearing of Lauderhill Sergeant Greg Solowsky. I was very impressed with his tenacity and vigor. He was cross examining Lauderhill Assistant Chief Cochran. I envisioned Mike Tyson beating the crap out of A.C. Cochran. Before Cochran could gather his thoughts Livoti hit him with another question which completely dumbfounded Cochran and left him punch drunk on the witness stand. After the horrible showing of the City's star witness, the City decided to negotiate. At that point I knew Livoti was my type of lawyer, aggressive, attacking, and dedicated to his clients favorable outcome.

During my arbitration hearing at Lauderhill PD in July, Mr. Livoti did not disappoint. He was as prepared and confident as any person I have worked with over my 40 years.

Over the three day hearing Mr. Livoti attacked every witness that wanted to discredit me. Livoti made them tell the truth about my work ethic, and my dedication to the Lauderhill Police Department. Livoti made sure I had a legal voice in which to be heard. Until the arbitration John Puleo had been my only legal counsel, and the City simply wouldn't hear him, no matter what proof or evidence Puleo presented to contradict the claims against me the City just refused to listen. They had to listen to Livoti and all the evidence that had been presented to the City over a year ago by Puleo.

Between the two (Livoti and Puleo) I would have to say that I feel very fortunate in the fact that these two men were on my side. They have represented me and the FOP with dignity and respect. I am not one to blow smoke, or speak highly of another person unless they truly deserve it. Mr. John Puleo and Mr. Anthony Livoti are such men who deserve a great big pat on the back for the great job they have done for me and my fellow Officers.

Thank You

Shaun T. VanBeber
S. Florida Law Enforcement Liaison
Motor Unit Challenge Coordinator / Motorcycle Safety Coalition
954-826-2359

FLORIDA STATE LODGE FRATERNAL ORDER OF POLICE OFFICER OF THE YEAR

Each year the Florida State Lodge selects one member from the Florida Law Enforcement Community to be formally recognized for their service as our "Officer of the Year". Invitations go out to all law enforcement agencies in Florida to submit an application and hundreds are received for the outstanding work in public safety, bravery and dedication to our profession. This year proved no exception as hundreds of applications came into our office detailing the deeds of officers, deputies, agents and troopers across our state. Each was worthy of recognition for their excellent contributions to law enforcement and their communities.

The applications are reviewed by the District Directors, and the nominees are narrowed down until one is finally agreed upon and selected by vote. The choices are difficult to choose from since all are outstanding. However, this year, one application form stood out among all the rest. One officer performed far beyond all expectations. His remarkable will to survive is detailed in the letter received from Sheriff John Rutherford, Jacksonville Police:

Dear Nomination Committee;

The Jacksonville Sheriff's Office is proud to nominate Detective Jared T. Reston for consideration as the FOP Officer of the Year for his heroic and exemplary service. Detective Reston is deserving of this award because of his heroic actions and outstanding display of expert training in the line of duty while under extreme distress, fighting for his very life.

On January 26, 2008 Detective Reston was working off-duty, (as many of us are apt to do), at a job in the Regency Square Mall in Jacksonville, Florida when he received a call in reference to two shoplifters. One suspect was taken into custody and the other suspect ran away from the mall, across a highway and into a cluster of neighboring businesses.

Detective Reston chased the suspect on foot and eventually caught him. The area where he encountered the suspect was poorly lit and Detective Reston was unaware the shoplifting suspect had a gun. As Detective Reston attempted to subdue him, the suspect engaged in hand to hand combat, then pulled his gun and shot Detective Reston in the face with a Glock handgun using 45 caliber ammunition.

Jarred fell to the ground with life threatening injury. The suspect stood over the fallen officer and continued to fire his weapon into the body of Detective Reston striking him in the chest, side and lower body. The suspect shot Detective Reston a total of seven times.

Despite his critical injuries, Detective Reston displayed an amazing will to survive and was able in the midst of this ordeal to retrieve his own weapon to eliminate the threat. The suspect fell mortally wounded as Detective Reston fought for his life.

Detective Reston has been a member of the Jacksonville Sheriff's Office SWAT team for four years and instinctively utilized all of his training and skills to survive. He has been awarded the Purple Heart for his injuries sustained in the line of duty.



John H. Rutherford, Sheriff and Detective **Jared T. Reston**

continued on page 9

Jared Reston was recognized as Police Officer of the Month for October 2008 from the Jacksonville Sheriff's Office for his bravery and courage under fire in the line of duty. He was awarded the 2009 Jacksonville Police Officer of the Year award on January 15, 2009 by Sheriff Rutherford.

Thank you for your consideration of Detective Jared T. Reston for the Fraternal Order of Police Officer of the Year Award. He is an excellent police officer who is truly deserving of the honor.

Sincerely,

John H. Rutherford, Sheriff


Duval County, Florida

By unanimous vote, Detective Jared T. Reston has been selected by the Florida State Lodge, Fraternal Order of Police as our "2009 Officer of the Year". Detective Reston received a standing ovation at our June Conference as he accepted his award. ★

Lodge NY 3100 Limited Raffle

Approx. 80% of the raffles are already sold! Get Yours before they sell out!

GLOCK 27 .40 Introduction



GLOCK 27
Backup Glock

Small, light, accurate and powerful. The GLOCK 27 is the backup weapon for all situations. Because of its comfortable dimensions and the known advantages of the GLOCK pistol family it is very popular by police on patrol duty, which is why many law enforcement agencies issue this subcompact .40 pistol also as an official backup pistol.

20% of Proceeds to benefit
 ✦ Autism Speaks ✦
 Limited to Only 500 Tickets
 At \$10.00 each

First Prize
Glock Model G27 .40 Cal
Second Prize
Smith & Wesson
.38 Model 641

Must be 21 years of age. Winner need not be present to win !






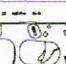


Drawing at NY Lodge Meeting on September 23rd, 2009

Winner is responsible for transfer and fees

For tickets send \$10 for each raffle to the address listed below and we will send you the ticket.

**State of Florida FOP NY Lodge 3100
 Box 3100
 8927 Hypoluxo Road, Suite A-4
 Lake Worth, FL 33467-5249**

GLOCK 27 .40 Technical Data

 CALIBER .40 SYSTEM Safe Action	 WEIGHT 560 g / 19.75 oz. LOADED (-) 765 g / 26.98 oz.
 LENGTH 160 mm / 6.29 in. HEIGHT 106 mm / 4.17 in.	 MAG. CAPACITY Standard: 9 OPTIONAL 11/13/15/17
 WIDTH 30 mm / 1.18 in. BARREL HEIGHT 32 mm / 1.26 in.	 TRIGGER PULL 2.5 kg / 5.5 lbs. TRIGGER TRAVEL 12.5 mm / 0.5 in.
 LINE OF SIGHT 144 mm / 5.67 in. BARREL LENGTH 88 mm / 3.46 in.	 BARREL RIFLING right hand, hexagonal LENGTH OF TWIST 250 mm / 9.84 in.



Smith & Wesson
.38
Model 642

When you need a lightweight carry revolver, you turn to Smith & Wesson's Small Frame Airweight Series. They are the original aluminum, small frame revolvers chambered in .38 S&W Special +P.

Model: 642
 Caliber: .38 S&W Special +P
 Capacity: 5 Rounds
 Barrel Length: 1 7/8"
 Front Sight: Integral Front
 Rear Sight: Fixed
 Grip: Rubber Grips
 Frame: Small - Centennial Style
 Finish: Matte
 Overall Length: 6 3/8"
 Material: Alloy/Stainless Steel
 Weight Empty: 15 oz.

VESTS TO THE RESCUE

The **Vests to the Rescue** program is officially underway. This program is a Joint venture with the Florida (Brevard County, J.W. Dunn Lodge #37 and District 7) Fraternal Order of Police (FOP), the premier law enforcement organization in the States and Philippine National Police (PNP).

The purpose of this program is to receive used police equipment, including bullet-proof vests, and donate it to nominated Philippine National Police and Government entities at no cost.

The program started very simply; several previous attempts were made but were not sustainable. The U.S. link was never as diligent as this task demanded until Officer Frank Carter #181 from Melbourne Police Department Florida and Assistant Director of Central Florida District 7

Fraternal Order of Police was on a Business trip to the Philippines. When he met with local Police Officers they described that they were in severe need of police equipment for their daily needs of Law Enforcement. They described stories of Police Officers who had been shot without any kind of police Ballistic vests and that Police Officers were in dangerous situations just like their brothers in the US but without the protection that we take for granted in the U.S.

Officer Carter returned back home and contacted the Director of FOP Central Florida District 7 Kevin Carlucci and President of FOP Lodge #37 Bert Gamin who agreed to sponsor an International project called “**Vests to the Rescue**” with Philippine National Police.

Already approximately 100,000 dollars in police equipment from Central Florida has been shipped with a goal of outfitting all Police Officers in the Philippines with at least a tactical Ballistic Police vest. In United States Police officers are required to get a new police vest every 5 years as well as new handcuffs, holsters and so on. Those vests and equipment can now go to great use for the officers in the Philippines.

On Thursday June 18th 2009 we visited Police Station 4 of Angeles city, Philippines and discussed the centralized issue of gear and accountability with station commander PCINSP Ronaldo Lorenzo to insure the maximum use and maintenance of the gear.

On the same day we met with Angeles city chief of police PSSUPT Pierre Bucsit. He was very appreciative of the impact the program would have on local police officers and we spoke in length about long term benefits of the relationship between US and Philippine police entities. He also believes that this relationship would not only make it safer for the officers affected but it would make the communities safer due to the change in the effect of the officers in carrying out their duties.



PINSP Eric Garcia, PO2 Jennies Capili, PCINSP Ronaldo Lorenzo, PINSP Dante Cabungcal

Continued on page 11

CORAL GABLES POLICE OFFICERS AT CITY HALL BUDGET MEETING

The membership and supporters of Coral Gables FOP Lodge #7 arrived at Coral Gables City Hall and their presence and displeasure of potential contract issues was clearly seen and felt. The Coral Gables FOP is strongly opposed to a proposed 7.5% wage reduction as well as other contractual issues the City of Coral Gables has intimated it wants to cut from the police department union contract. All levels of the rank in file to include investigations, specialized units, and patrol were in attendance demonstrating that these issues are department wide and affect the Coral Gables Police Department and the City as a whole. "The large turnout is a sign that the FOP of Coral Gables rallies for itself. When the call came to show our position the membership stepped up quickly and decisively. This is not an issue that any resident or business in Coral Gables should take lightly." said one t-shirt wearing FOP member. The Union members were civil, polite and often times in the bursting at the seams chambers were seen holding doors for attendees and giving up their seats to residents. FOP President John Baublitz spoke briefly before the City Commission before leading his membership out of the chambers. ★



Vests continued from page 10

On June 19th 2009, in the midst of crisis in the southern part of the country, the Director for Operations PDIR Andres Caro II agreed to support our program. This insures police headquarters oversight and the proper foundation for equipment accountability and proper utilization. These two points are essential for the program to succeed and become a long term partnership.

Officer Frank Carter #181
Melbourne Police Department
Assistant Director FOP Central Florida District 7
Police cell: 321-403-7296
E-mail: fcarter911@gmail.com



PDIR Andres Caro II, Officer Frank Carter, Steve Hidosan, PSSUPT Ager Ontog

AFTER FRIGHTENING ATTACK AND ROBBERY, FAMILY BEING TREATED TO DISNEY

By Lise Fisher, staff writer

A Mississippi family whose vacation was cut short earlier this month when the mother and one of her children were attacked in a Gainesville hotel room are returning to Florida thanks to donations from businesses and local police.

The family, accompanied by an escort of off-duty officers, will be traveling to Disney World this weekend, according to the local chapter of the Fraternal Order of Police.

“This family kind of touched our hearts. “said Jeff McAdams, local FOP president and Gainesville police officer.” They were visitors in our town, and they suffered an incredible tragedy. We didn’t want them being left with the impression that Gainesville was a bad place. We felt like we owed them something.” Immediately after the attack, the local FOP provided the family with \$250 so they could return home.

The family of seven had been heading to Tampa for a trip to the beach when they Jul 24 th the Hilton Garden Inn off Southwest 33rd Place to spend the night. The mother and her eldest daughter were alone in the hotel room when someone knocked at the door. Thinking a hotel employee was at the door the mother let her daughter answer the door where she was confronted by a stranger who forced his way inside. Mother and daughter fought with the man and were able to get him out of the room. Before he left he took the mother’s wallet and the family’s cash.

Police still are searching for the suspect but, so far, have not reported and leads in the investigation.

In an interview with The Sun about the case, the mother said she has had to lie to her children, saying the attacker is in custody, to calm their fears since the incident.

McAdams said not only police are helping the family get this second chance at a vacation. Disney, the Hampton Inn Hotel, and other area businesses also have provided donations to help make the trip possible. “We were just the catalyst to get it all started,” he said. “A number of people in the community wanted to get it done.”

The police escort is to help the family feel safe as they travel, McAdams said. ★

Hats off to Gator Lodge 67 and President Jeff McAdams for a job well done.

Florida FOP is a major sponsor of the National Law Enforcement Museum Project. Visit our web page to make a donation www.floridastateFOP.org

Pictured at right are the great ladies of the National Law Enforcement Memorial Fund.

Bernie Spence, Director, Memorial Research

Martha Wood, Surviving Spouse of Baltimore Police Officer (Helicopter Pilot) Barry Wood

Hilary Tahl, Law Enforcement Relations Manager, NLEOMF

Natalie Basich, Corporate Relations Manager, NLEOMF





Our group was founded in 2004 after learning of the needs our aging veterans living in local State Veterans Nursing Homes (our main focus is the Baldomero Lopez State Veteran's Nursing Home in Land O Lakes, FL). Our aging heroes, while well taken care of, endure many shortfalls in the State system.

For example: Televisions are not provided by the State. Private donations provide satellite and digital TV. The only way around this is for the Activity Director to allocate most of the Activities Budget for television.

Out of the money they spend to live in the homes, the State only allocates \$35.00 for personal care products. This includes: toothpaste, toothbrushes, denture cleaner, denture paste, Depends products, shampoo, body lotion, and the list goes on.

To assist them, we began a product drive and deliver the listed items (and more) on Veterans Day (November 11th). These donations allow the \$35.00 to go much further. We also provide them with televisions, movies, computer systems, high speed internet service, Nintendo Wii systems (which helps in physical therapy), specialty clothing (Alzheimer's patients), parties, BBQs and Christmas presents for those who are not fortunate enough to have families. If they have a need we do our best to meet it.

This year, in addition to the product drive, we have taken on a bold project. We are sponsoring the First Annual Honor the Heroes Sporting Clay Shoot. Our goal is to raise money for the purchase of these items and many other things they need.

We are comprised of a small number of people, who work at the Hillsborough County Sheriff's Office. We have been fortunate in that our office supports our cause and affiliates itself with us.

We are a registered Non-Profit Corporation and we have applied for our 501(c)(3) status. We welcome you to go to our website: www.operationpatriot.net, see some of the things we do and download the registration form.

We welcome you and your guests to participate in our Sporting Clay Shoot on September 26, 2009 at the Tenoroc Shooting Club in Lakeland.. We will be providing a continental breakfast and catered lunch. We will have door prizes, a raffle for a .22 cal Ruger 1022 rifle, a 50/50 raffle and a silent auction. Please come and be a part of our success.

ALL PROCEEDS BENEFIT THE VETERANS AT THE STATE VETERANS NURSING HOMES.



Invites you to the

First Annual “Honor the Heroes” Sporting Clays Benefit Shoot

Saturday, September 26, 2009



Help us support Veterans who reside in local state nursing homes. 100% of the profits will be used to support our Veterans.



Tenoroc, 3755 Tenoroc Mine Road in Lakeland
Registration and Continental Breakfast at 7:30 – 8:45 am
Shotgun Start at 9:00 am – CATERED Lunch at 12:30 pm

\$300.00 Team Entry Fee (4 shooters)/\$80.00 Individual Shooter
Entry Fee Includes: Continental Breakfast, Lunch and Sporting Clays Gift Bag
Includes: 10 Stands / 100 Shot Round (Shooter provides Shells)

To register log on www.operationpatriot.net

If you need to rent a loaner gun for the event please contact Tenoroc directly at 863-666-2500.

Rules and Waivers Must Be Signed By All Shooters Prior to Event. Shooters to provide eye and ear protection.

For questions, please call Sharon at 813-244-8403 or Ken at 813-477-1813.

Operation Patriot, Inc. was incorporated July 2, 2007 in the state of Florida as a non-profit organization.
Filing is pending approval to be an IRS recognized 501(c)(3) tax exempt corporation. www.operationpatriot.net.



BE A PART OF GIVING BACK TO THOSE WHO FOUGHT TO KEEP US FREE!

The residents of Baldomero Lopez State Veterans Nursing Home need your assistance!
120 Veterans from World War II, Korean War, Vietnam War and Gulf War reside at the home.
They receive \$35 a month to purchase every day, personal needs.

For most residents, this is all the money they have.

Collect your donations by Monday, October 26th. We will pick them up and deliver them to Baldomero Lopez on Veterans Day.

Cash donations or gift cards will also be accepted and items will be purchased.

Make checks payable to Operation Patriot

Need more information? Call:

Sgt. Ken Escobio - (813) 477-1813

Sharon Richmond - (813) 244-8403

Dep. Bobby Howard - (813) 714-8708

Some of their needs are:

Depends Briefs

Hand Cream

Large Print Crossword & Word Searches

Denture Cream

Body Lotion

Water Color or Acrylic Paint/Brushes

Denture Cleanser

Foot Powder

Water Color Paper

Kleenex

Body Powder Black Velvet Paint-By-Number

Toothbrushes

Toothpaste

Packs of Construction Paper

Shower Gel

Glue Sticks

Color Tissue Paper

Gift Cards - Walmart, Target, McDonalds

HONOR THE HEROES!

LODGE 28 UNANIMOUSLY REJECT NEW CONTRACT

Lodge 028 had been working on negotiations for past 3 years with the Monroe County Sheriff's Office, a contract proposal was given and the lodge did not feel it was in the member's best interest to accept the contract that the Sheriff's Office had proposed. We got the word out to our members and they listened. John Puleo Labor Rep, stated he never has had a unanimous vote like this.

A vote count for the new contract was taken tonight and here are the following results.

Of 146 collective bargaining members, 116 voted. Of the 116 members that voted, 116 votes rejecting the contract offer were counted. The contract was unanimously rejected by all the members.

Lee Cowart President of Lodge 028 would like to thank everyone who showed up to vote. At this time we are looking at an impasse reference contract negotiations. ★

PROTECTIVE SEARCHES BUILDING UPON *TERRY V. OHIO*

*By: David Waksman
Assistant State Attorney
Miami-Dade County, FL*

In *Terry v. Ohio*, which was decided by the United States Supreme Court in 1968, the *Stop and Frisk* was legalized and became a part of the lexicon of American law enforcement. The need to protect the nation's police officers, as well as the public was finally recognized.

Detective Martin McFadden, a thirty-nine year veteran of the Cleveland, Ohio, Police Department, assigned to the downtown beat for thirty years, saw three men walking back and forth in front of the same store numerous times. He testified that he suspected *they were casing a stick-up*. The officer testified that he only patted the men down to see whether they had weapons; he did not put his hands beneath their outer garments until he felt guns on two of them.

Recognizing the need to protect the officer, the court stated:

Certainly it would be unreasonable to require that police officers take unnecessary risks in the performance of their duties. American criminals have a long tradition of armed violence, and every year in this country many law enforcement officers are killed in the line of duty, and thousands more are wounded.

Striking a balance between those risks to our police officers, with the rights of our citizens, they went on to hold:

Our evaluation of the proper balance that has to be struck in this type of case leads us to conclude that there must be a narrowly drawn authority to permit a reasonable search for weapons for the protection of the police officer, where he has reason to believe that he is dealing with an armed and dangerous individual, regardless of whether he has probable cause to arrest the individual for a crime. The officer need not be absolutely certain that the individual is armed; the issue is whether a reasonably prudent man in the circumstances would be warranted in the belief that his safety or that of others was in danger.

Now that we know when we can *pat down* a person, how about his car --- or his house --- or someone near him? Let's follow the cases and see where they take us.

In *Michigan v. Long*, the court applied the principles of *Terry* in the context of a vehicular roadside encounter stating:

The search of the passenger compartment of an automobile, limited to those areas in which a weapon may be placed or hidden, is permissible if the police officer possesses a reasonable belief based on *specific and articulable facts which, taken together with the rational inferences to be drawn from those facts, reasonably warrant* the officer in believing that the suspect is dangerous and the suspect may gain immediate control of weapons.

The court in *Long* took that language right out of *Terry v. Ohio*.

Let's see what those facts were.

Deputy Sheriffs Howell and Lewis were on patrol in rural Barry County, Michigan, when they observed a speeding and erratically driven car go into a ditch shortly after midnight. When the deputies approached the scene of the accident, they met David Long at the rear of the car.

continued on page 17

The driver's door was open. He was the only person present. Long had difficulty responding to repeated requests to produce his driver's license and registration and appeared to be 'under the influence of something.' As Long started walking towards the open car door, the deputies followed and observed a large hunting knife on the floorboard of the driver's side of the car. They shined their flashlights into the car and saw 'something' protruding from under the armrest. Their intention was 'to search for other weapons.' At this point, Deputy Howell entered the vehicle to examine the armrest, and saw a pouch of marijuana on the front seat. After Long was convicted, he asked the U.S. Supreme Court to determine 'the authority of a police officer to protect himself by conducting a *Terry*-type search of the passenger compartment of a motor vehicle during the lawful investigatory stop of the occupant of the vehicle.'

The court held:

Our past cases indicate ... that protection of police and others can justify protective searches when police have a reasonable belief that the suspect poses a danger, that roadside encounters between police and suspects are especially hazardous, and that danger may arise from the possible presence of weapons in the area surrounding a suspect. These principles compel our conclusion that the search of the passenger compartment of an automobile, *limited to those areas in which a weapon may be placed or hidden, is permissible* if the police officer possesses a reasonable belief based on "specific and articulable facts which, taken together with the rational inferences from those facts, reasonably warrant" the officers in believing that the suspect is dangerous and the suspect may gain immediate control of weapons. Citing to [*Terry*](#).

Let's change the facts a bit. Let's say Long was already in handcuffs, having been placed under arrest. Could you still *pat down* the car? Is there still a danger? That's just what happened in Texas to Richard Wallen. Wallen was stopped for speeding. As the police officer was requesting his license and registration, he noticed several weapons in the vehicle. Wallen kept walking around the car and looking into it. Eventually a records check revealed an outstanding traffic warrant and Wallen was handcuffed and placed in the rear of the patrol car. Was there any need for a protective search of the car? Could Wallen get to those guns and hurt the officer? The United States Court of Appeals for the Fifth Circuit (Texas, Louisiana and Mississippi) ruled that 'suspects in handcuffs can remain a danger to the police, particularly when weapons are present.... The rule of *Long* and *Terry* applies here to legitimize this sweep, although Wallen was in handcuffs at the time.'

A few years after Deputy Howell *frisked* David Long's car for weapons, detectives in Prince George's County, Maryland, obtained arrest warrants for two men suspected of a recent armed robbery of a Godfather's Pizza restaurant in their jurisdiction. One of the robbers had been wearing a red running suit. The first to be arrested, two days later, was Jerome Edward Buie. A team of six or seven officers went to his home after calling first to make sure he was there. After gaining entry, the officers fanned out through the first and second floor looking for him. A Corporal Rozar shouted into the basement, ordering anyone there to come out. When a male voice answered, Rozar announced: *This is the police, show me your hands*. Finally Buie, and those hands, came up. He was arrested, searched and handcuffed by Cpl. Rozar. So why did he have to *pat down* the house?

The second robber had not yet been apprehended. Who else was in the house that might attack the officers as they were taking Buie away? A Det. Frolich entered the basement (after Buie came up) to see if anyone else was down there. He noticed a red running suit lying in plain view and seized it. It was moved into evidence at Buie's trial and he was convicted.

continued on page 18

The Supreme Court, building upon *Long* and *Terry*, held:

We conclude that the Fourth Amendment would permit the protective sweep undertaken here *if* the searching officer possessed a reasonable belief *based on specific and articulable facts* which, taken together with the rational inferences to be drawn from those facts, *reasonably warranted the officer in believing that the area swept harbored an individual posing a danger to the officer or others.*

They further explained:

A 'protective sweep' is a quick and limited search of a premises, incident to an arrest and conducted to protect the safety of police officers or others. It is narrowly confined to *a cursory visual inspection of those places in which a person might be hiding.*

Since the running suit was in plain view where the officer had a legal right to be, its seizure was lawful.

Let's extend this a bit. Suppose Buie was not in his home, but arrested in the neighborhood tavern.

Who else could you *pat down* there? An earlier case, *Ybarra v. Illinois*, gives us the answer.

In March of 1976, a special agent of the Illinois Bureau of Investigation applied for and received a search warrant for the Aurora Tap Tavern, in Aurora, Illinois. The warrant was to search the tavern and the bartender, one "Greg, a white male with blond hair, about 25 years of age," for tin foil packets of heroin that "Greg" was alleged to be selling in the tavern.

On the date the warrant was issued, seven or eight officers entered the tavern and announced that all present would have to submit to a 'cursory search for weapons.' One officer patted down 9 to 13 customers while the remaining officers conducted the search of the premises. Ventura Ybarra was found to have a 'cigarette pack with ... six tin foil packets of heroin in it.'

Upon entering the tavern, the police did not recognize Ybarra and had no reason to believe he was committing a crime. He made no gestures indicative of criminal conduct, and made no movements that might suggest an attempt to conceal contraband, and said nothing suspicious to the officers. His hands were empty and the police had no reason to believe he might assault them. All the police knew about Ybarra was that he was in a public tavern at a time when the police believed the bartender was selling heroin. (Compare his actions to those of Terry and his associates.)

The court held that, even though the police had a search warrant to search the tavern and Ybarra was in the tavern at that time, *neither a person's mere presence in that tavern, nor his closeness to the person to be searched (Greg) gives rise to probable cause to search that person.* There was no probable cause *particularized* to Ybarra. The court explained:

Each patron who walked into the Aurora Tavern ... was clothed with the constitutional protection against unreasonable search or ... seizure.... Although the search warrant ... gave the officers authority to search the premises and to search "Greg," it gave them no authority whatever to invade the constitutional protections possessed individually by the tavern's customers.

continued on page 19

continued from page 18

What have we learned from the line of cases beginning with *Terry* and continued by *Long*, *Buie* and *Ybarra*?

As dangerous as the police officer's job is, the courts have allowed him/her to adequately protect themselves, if there are specific and articulable facts which would warrant a reasonable person in believing that the suspect is armed or dangerous.

David M. Waksman, J.D., a nationally known homicide prosecutor with vast experience in trying violent offenders, is a former sergeant with the NYPD and a thirty-year prosecutor with the Miami-Dade State Attorney's Office, in Florida. Mr. Waksman teaches at the Southern Police Institute in Louisville, Ky, and the National College of District Attorneys, in Columbia, S.C. This article is excerpted from his new book, *The Search and Seizure Handbook*, available from Prentice Hall or Pearson Custom Publishing. It was recently cited by the U.S. Supreme Court as a:

“(S)ource now available to teach officers and their supervisors what is required of them under this Court’s cases, and) how to respect constitutional guarantees in various situations.... See, D. Waksman & D. Goodman, *The Search and Seizure Handbook* (2d ed. 2006).”

BOOKER T. HUDSON, Jr
v.
MICHIGAN
United States Supreme Court

June 15, 2006.

POLK COUNTY LODGE #46 CELEBRATES 25TH ANNIVERSARY

Twenty five years ago, Lakeland Police Officer Mike Butler, an Indiana transplant recalled his experience with the FOP in Indiana and decided that the FOP would be a good fit for Lakeland. He worked hard on his vision and Lodge #46 was formed with the assistance of District 3 Director Gene Leonard and James Preston who helped swear in the new lodge. Soon the lodge expanded to include Polk County deputies and out-grew their facility. With Mike's help a new building was acquired and the lodge continued to increase membership. Today, Polk County FOP Lodge 46 owns an even larger building and enjoys a strong membership under the guide of current President David Waller. Congratulations to the leadership and members of Polk County Lodge 46 for 25 years of success. ★



(l-r) Current President **David Waller**, Past President **Bill Carew**, State Lodge President **Jim Preston** and First Lodge President **Mike Butler**

THE MAKING HOME AFFORDABLE PROGRAM

You can't pick up a newspaper or turn on the news without hearing about the many changes in the U.S. home market. Nationwide Advantage Mortgage, the official mortgage member benefit provider for FOP, is focused on serving the needs of America's homeowners. Part of this focus is on educating our affinity partners, including FOP members, about the sweeping changes taking place in the home market.

Through a broad national strategy called the *Making Home Affordable Program*, Fannie Mae and Freddie Mac, the nation's largest secondary market investors, offer two initiatives that will help keep more families in their homes, stabilize communities and help homebuyers during this difficult time.

1. The *Home Affordable Refinance* Program enables eligible homeowners who are current on their mortgage payments to refinance to a lower interest rate. There is even help for homeowners who have seen their property values decline below what they owe on their mortgage. (You may have heard this referred to as being upside-down on a mortgage.)
2. The *Home Affordable Modification* Program assists homeowners who are behind on their mortgage payments or facing financial difficulty.

How do I know if I qualify?

- Gather information about your loan: lender name, account number, balance, monthly payments, as well as information about any second mortgages you have.
- Visit the official U.S. Treasury site to see if you are among the seven to nine million homeowners who may benefit from these programs: www.makinghomeaffordable.gov
- Visit both of these web sites to find out if Fannie Mae or Freddie Mac owns your mortgage: <http://loanlookup.fanniemae.com/loanlookup/>, <https://ww3.freddie.mac.com/corporate/>
- Call the Nationwide Advantage Mortgage FOP hotline: **1-866-816-5143** or visit FOPAdvantage.com

We ask for your patience. These federal programs have complex guidelines that all participating lenders and borrowers must follow the guidelines determine whether assistance comes from Nationwide Advantage Mortgage or your current lender.

Gene B. Russell
The Mortgage Guy

You're there for us. We're here for you.

Gene B. Russell is Business Relationship Manager for Nationwide Advantage Mortgage Company[®]. You may have met him at one of the many national FOP events and state conferences he attends annually.

This article is for informational purposes only and is not meant to be lending advice. Please consult with a mortgage professional for advice on mortgage products. ★

- Reid Investigator Tip -

Behavior Symptom Analysis During Roadside Interviews May-June 2009

Many serious crimes have been solved as a result of a traffic stop or chance encounter with a police officer: A vehicle is stopped for running a red light and it is determined that the occupants just held up a liquor store or burglarized a warehouse; a driver is pulled over because of an equipment violation and, through questioning, the officer learns that the other occupant in the vehicle is wanted on a felony warrant. The media use these stories to show how stupid criminals are. What the stories really illustrate, however, is the importance of conducting effective roadside interviews.

The officer conducting a roadside interview is in a unique position to develop incriminating information. Because the initial stop is for a forfeiture offense, Miranda warnings are not required. Most of these stops are the result of probable cause so the suspect already knows that he or she has been caught doing something wrong and this awareness makes it easier to acknowledge other transgressions. Finally, these suspects are caught off guard without the opportunity to create a credible alibi or dispose of incriminating evidence that may be in the vehicle.

While it might be tempting to grill every motorist pulled over for speeding to find out if he has sexually molested any children or has a dead body in the trunk of his car, there are moral and legal restrictions placed on expanding the scope of roadside questions beyond the initial traffic violation. For example, some states have ruled that, without reasonable suspicion, it is illegal to ask a person pulled over for a traffic violation permission to search the trunk of his car.

In many of these cases, officers cite "gut feelings" or "instincts" as causing them to expand the scope of their questions beyond the initial traffic stop. These officers have stopped hundreds of motorists and know what a normal person's behavioral response is under that circumstance. When a subject exhibits abnormal behavior, the officer may expand their questioning. While John E. Reid and Associates' expertise is limited to behavior symptoms that occur in a controlled environment during a structured interview, some of those basic principles certainly carry over to a roadside interview.

It must be remembered that people stopped for traffic violations are, for the most part, guilty of the offense for which they were stopped (speeding, equipment violation, failure to obey a sign, etc.) and will certainly exhibit symptoms of anxiety as a result of being caught. In this sense, people stopped for a traffic violation are "guilty" of the violation. However, they may exhibit behavior symptoms of guilt or deception because of involvement in some unrelated criminal activity or because they lied to the police officer's questions, e.g., "Where are you coming from? Whose car is this?"

For the purpose of this article, the terms "guilt" and "deception" are used to describe subjects who are involved in something other than the traffic violation for which they were stopped. The following are general guidelines that may be useful to establish reasonable suspicion. In other words, these are indications that it may be appropriate to expand the scope of questioning beyond the initial purpose for the stop.

continued on page 22

#1 Nervousness does not equal deception

Especially during the initial contact with a police officer, most subjects will experience nervousness (hand tremor, eye blinking, dry mouth). As a recent incident illustrated, a subject may appear agitated and anxious because of a medical emergency. However, extreme nervousness, or fearfulness that increases during the course of questioning may be an indication of guilt to something beyond the initial traffic violation. Symptoms of extreme anxiety include excessive physical movement (pacing, crossing, uncrossing arms, constant hand movements) and mental blocks (inability to recall simple information like an address or an inappropriate response to a simple question).

#2 Truthful suspects offer reasonable cooperation and are helpful during questioning.

Subjects with nothing to hide pull to the side of the road when the officer activates lights and siren; when at home, they answer the door when the officer knocks on it and respond to questions without objection. Conversely, it is a classic symptom of guilt for a suspect to run from the police in response to an effort to stop his vehicle or question the suspect at his home.

During questioning, guilty suspects may engage in behaviors that are the equivalent of alluding the officer. The suspect may be guarded, answering most questions with only a one or two word response. A key deceptive behavior symptom associated with guarded responses is that the suspect does not take time to think about the officer's question. Often, these suspects respond to the officer's questions too quickly or even before the officer finishes asking the question.

The deceptive suspect may evade a direct response to the officer's questions or become challenging as illustrated by the following dialogue:

Q "Where are you going this evening?"

A: "Nowhere."

Q: "Where are you coming from?"

A: "What do you mean?"

Q: "Who is in the front seat with you?"

A: "That's none of your business."

Q: "What is his name?"

A: "What difference does it make?"

At this point it would be reasonable to pursue an effort to establish the identity of the passenger and the subject's whereabouts that evening.

#3 Deceptive suspects are often uncomfortable communicating with their hands.

Communicating with one's hands (illustrating) occurs when a person is confident and sincere in his statements. Illustrators reinforce the credibility behind the spoken word. The lack of illustrators can be a significant behavior symptom of possible deception. The classic description of a guilty subject going through a border stop is that the subject's hands are cemented to the steering wheel at the 11 and 2 o'clock positions and his eyes stare straight ahead at the road. Similarly, when questioning a child who has done something wrong, the child will hide his hands by putting them in his pockets.

continued on page 23

Truthful subjects use appropriate hand gestures and will actively communicate with their hands. These gestures are not aggressive or threatening, but rather are an extension of communicating thoughts and information to the officer. Deceptive subjects often go through a "freeze" response and shut down nonverbally. As a result, their hands do not become involved when answering questions.

#4 Be cautious when considering poor eye contact as an indication of guilt or deception

There are many non-deceptive causes for an innocent person to exhibit poor eye contact, especially when being questioned by a person in authority. These include culture, a shy personality, effects of medications and neurological disorders. During relatively short encounters, such as a roadside interview, poor eye contact should not be considered a behavior symptom of deception unless the officer has specifically established that the suspect is capable of exhibiting normal eye contact.

The standard procedure to establish a person's normal level of eye contact is to ask a series of non-threatening background questions. The principle is simple; if a suspect cannot maintain mutual gaze when answering non-threatening questions, the suspect's poor eye contact when answering questions about the crime should not be considered as an indication of deception.

The difficulty with roadside stops is finding non-threatening questions to establish baseline behaviors. For example, the following initial questions are fairly standard when a police officer pulls over a car on a traffic stop:

"Do you know why I have pulled you over?"

"May I see your driver's license?"

"Is the information on your license correct?"

"Is this your vehicle?"

"Where are you headed this afternoon?"

For 99% of motorists, these questions should be non-threatening, but if the suspect happens to be driving a stolen car, driving with a revoked license or has just robbed a bank, the questions are clearly threatening and the suspect may exhibit poor eye contact when answering these "non-threatening" questions.

With so many potential variables affecting a subject's eye contact during a roadside interview, the officer should be cautious in using this criteria to identify guilt. Certainly, poor eye contact alone should not be used as the sole criteria to expand the scope of questioning during a traffic stop.

#5 Inconsistent or irrational explanations often indicates deception

There are many factors that influence nonverbal behavior but a person's words have a single meaning, with the only typical variables being memory or intelligence. If a driver tells you that the car he is driving belongs to his father, the fact that a check on the car's ownership comes back to someone else is an inconsistency that certainly requires further questioning.

Continued on page 24

THE FOP AND IAFF ENTER INTO AN AGREEMENT WITH BLEVE MUSIC

The FOP and IAFF have entered into an agreement with Blevé Music that will provide funds for the FOP Foundation and the Fallen Fire fighter funds.

The Link below is a web page that is design for our members. Once you open the link to Blevé Music members should click on Members and fill out their information and in the group code type: tenfour

This is the first song on a CD being produced and sold nationwide. The FOP will get \$2.00 for every CD and the IAFF gets \$2.00

If we can assist this record in hitting the charts the CD will sell many more copies.

Ronnie Milsap is the featured artist and the first song entitled "My First Ride" is a duet with Trace Adkins. The song will start automatically when you open the web page.

The song can be downloaded to a standard MP3 file and Ipod for .99 cents.

We will be publishing a list of Radio stations we need our members to call and request this song be played. That information can be obtained on the web-site www.blevemusic.com

Please pass this on to as many members as you can. The song can be purchased by anyone so invite your family as well.

Chuck Canterbury,
National President

continued from page 23

If a car is pulled over and smells of marijuana the officer should certainly ask the driver about the smell. If the driver anxiously explains that his car was parked near a field where leaves were being burned and that the leaves caused the smell, this is an irrational explanation. Based on this analysis, it would certainly be appropriate for the officer to ask the driver, "Have you or anyone else smoked marijuana in this car this evening?"

In conclusion, most roadside interviews are routine and straightforward. A car is stopped, a few questions are asked, a citation is issued and the subject is on his way. However, on occasion, the subject of a roadside interview is involved in a more serious crime or has information that is important to other on-going investigations. This web tip offers five guidelines to determine when routine questions should be expanded to cover possible involvement in other criminal activity or guilty knowledge.

Credit and Permission Statement: This Investigator Tip was developed by John E. Reid and Associate Inc. Permission is hereby granted to those who wish to share or copy the article. For additional 'tips' visit www.reid.com; select 'Educational Information' and 'Investigator Tip'. Inquiries regarding Investigator Tips should be directed to Janet Finnerty johnreid@htc.net. For more information regarding Reid seminars and training products, contact John E. Reid and Associates, Inc. at 800-255-5747 or www.reid.com. ★



All Are Invited



St. Stephen Catholic Church Presents

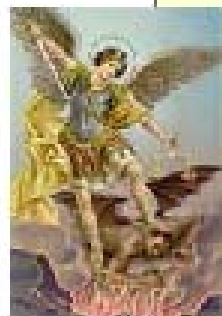
Blue Mass 2009

A "Blue Mass" is celebrated for the Spiritual intentions of police, firefighters, paramedics, rescue and other first responders.

Wednesday, September 9, 2009 at 7 pm



The Blue Mass dates back to 1934 in Washington, D.C. While the Blue Mass is a common tradition in the Northeast United States, it has more recently been extended throughout the United States, particularly in the wake of September 11, 2001. The Blue Mass is a way to honor and recognize the sacrifice of Law Enforcement Officers, Firefighters, Paramedics, Rescue and other first responders, and to remember those who have given their lives in service to their communities.



The Knights of Columbus, St Stephen Council 14084 cordially invite all Parishioners, families, friends and the surrounding community to attend this very special Mass to be celebrated by St Stephen Catholic Church's Pastor, Rev. William Swengros. Let's all join together in this memoriam of those who've paid the ultimate sacrifice to keep us, our families and communities safe, and together pray for the safety of those who've served, and those who continue to serve - and their families. Please join us in a demonstration of heartfelt appreciation as we *'Honor Those Who Protect Us.'*

All are invited to Reception in the Church following the Mass



St Stephen Council 14084

**KNIGHTS
OF COLUMBUS**

IN SERVICE TO ONE. IN SERVICE TO ALL.



Website: www.kofc14084.org



Fraternal Order of Police **FLORIDA STATE LODGE**



Company Name
Street Address
City, State, Zip Code

Dear Business Partner;

I would like to invite you to become one of the first to advertise in “Florida On Patrol”, the official newsletter of the Florida State Lodge, Fraternal Order of Police (FSLFOP). This long established newsletter reaches all corners of law enforcement in Florida and we have just begun our initial advertising program.

Our newsletter will be digitally published four times per year and will be made available to all of 20,000 active and retired law enforcement professional members who live and serve within Florida. If you purchase a full year advertising spot in advance, not only will you receive a ten (10%) percent discount you will be automatically registered as a preferred provider for our members.

The funds raised by these advertisements assist us in our many programs including Scholarships, Disaster Relief, Legislation and our Florida Law Enforcement Memorial Foundation for the families of fallen officers who have given the ultimate sacrifice in service to our communities.

As a business, the location of your ad is very important to you. Your placement is reserved by your immediate response.

Prices are included with this letter.

Sincerely,

A handwritten signature in black ink that reads "James W. Preston".

James W. Preston, President

Florida On Patrol

FOUR SEASON ISSUE & AD CLOSE DATE ORDER SHEET



SPRING February (ad close date January 2nd)
SUMMER May (ad close date April 1st)
FALL August (ad close date July 1st)
WINTER November (ad close date October 1st)



Florida State Lodge Fraternal Order of Police

242 Office Plaza, Tallahassee, FL 32301

Phone: (800) 873-3671

Fax (800) 873-3670

E-Mail: advertising@floridastatefop.org

Website: www.floridastatefop.org

Attention: Greg Gecewicz—Newsletter Advertisements

The amount of times an advertisement is placed lowers the cost per issue. Also by paying in advance for all four issues you will save an additional 10%. Prices are for camera ready advertisements.					Season Placed				Amount Enclosed
Size of page	Placed 1x price per issue	Placed 2x price per issue	Placed 3x price per issue	Placed 4x price per issue	Spring	Summer	Fall	Winter	
Full	1300	1200	1100	1000					
2/3 Vertical	975	900	825	750					
1/2 Vertical	650	600	550	500					
1/2 Horizontal	650	600	550	500					
1/3 Vertical	500	435	385	350					
1/3 Horizontal	500	435	385	350					
1/4 Page	325	300	275	250					
1/6 Page (Horizontal or Vertical)	275	250	230	210					
1/8 Page	200	175	150	125					
Back Cover (full page)	2500	2070	1725	1500					
Inside Back Cover (full page)	1750	1455	1320	1200					
Inside Front Cover (full page)	1715	1550	1390	1250					

Name of Company: _____ Product or Service: _____

Name of Representative: _____ Title: _____

Address of Company: Street: _____ City: _____ State: _____

Zip Code + 4 digits: _____ Telephone# _____ Cell phone # _____



**FLORIDA STATE
FRATERNAL ORDER OF POLICE
AUXILIARY**

**LAW ENFORCEMENT FAMILIES ACTIVELY
SUPPORTING LAW
ENFORCEMENT**

Who can join?

- Open to All Family members of a Fraternal Order of Police member in good standing
 - Must be 18 years of age or older
 - Widow/widower of a Fraternal Order of Police member
- Honorary membership may be granted to immediate family members, 18 years of age or older, of duly sworn law enforcement officers who have given their lives in the performance of their duties

Membership in the Auxiliary Offers...

- Automatic Membership in the National FOP Auxiliary
- Sharing a common interest with your spouse/family member
 - Family organization dealing with family issues
 - Assistance and training for critical incidents
 - Communication among police families
- Educational scholarships for members and their families
- Information regarding legislative issues important to police families
 - Opportunity to establish a fraternal bond with police families
- “Never Let Them Walk Alone” – cast a double shadow and share a single thought
 - Membership Identification Card

Fraternal Order of Police Auxiliary History Pittsburgh: The Beginning

Pittsburgh, Pennsylvania: Steel Town, USA. It's the Roaring Twenties and American women's voices have risen to a roar. They were heard across the nation and all the way to the United States Congress which passed the 19th Amendment giving women the right to vote. Women were organizing!

Pittsburgh women caught the fever and organized a "Ladies Auxiliary" to the Fraternal Order of Police Fort Pitt Lodge No. 1 in November 1920. They joined their husbands on the picket line to secure pay increases and better working conditions for the police officers of Pittsburgh.

Key players in this pioneering effort were Kathryn Milton and Mary McNamara. Kathryn Milton drew up the by-laws and served as the first president. Restricted from membership in the FOP because of her gender, female Pittsburgh Police Officer Mary Hummel was among the charter members of that first Ladies' Auxiliary.

From the shores of Lake Erie to the eastern border of Pennsylvania, "sisters" joined to create two more Auxiliaries in Erie and Scranton. Policewoman Elizabeth Jeffs organized the Erie Auxiliary and the third Auxiliary was formed to the E.B. Jermyn FOP Lodge No. 2 in Scranton.

Milestones and Sidesteps to Organizing the Auxiliary

1922 - National FOP is notified that the functioning Ladies Auxiliaries want the FOP to "charter" their organizations. A resolution is passed by the FOP allowing this, but no further action is taken.

1926 - National FOP advised the Ladies Auxiliaries to become incorporated to obtain legal standing. The Ladies Auxiliary petitioned the FOP to allow Auxiliaries to incorporate and applied for a charter in the name of the "Grand Lodge Auxiliary". The petition was accepted by the FOP but no further action was taken.

1937 - The Auxiliaries, through Edythe Hinkle of Canton, Ohio, asked for "official recognition" and action to "clarify our status". No further action was taken.

1941 - In September 1941, at the FOP National Conference in Toledo, Ohio, the Grand Lodge Auxiliary was organized. Kathryn Milton, the Pittsburgh pioneer in the Ladies Auxiliary, was elected National President.

1949 - World War II has delayed the growth of the National Auxiliary. With the war effort over, the ladies' efforts began again and at the National FOP Conference of 1949 in Lexington, Kentucky, the official charter was presented to the Grand Lodge Ladies Auxiliary by the FOP.

Grand Gatherings of the 40s, 50s and 60s

Banquet dinners, tuxedos and formals. Edith Mills, National Auxiliary President from 1949-1953, recalls that a peach colored gown was her favorite for one conference.

Attire during conferences had been formal. Rituals for the Auxiliary require the wearing of white gloves. Hats were not allowed during meetings up until the 1970s. It was during the 1970s that attire became more casual. Dresses also became a sign of unity, with Auxiliaries within state delegations dressing in similar styles (some wore uniforms) or styles that reflected their regionalism. The entire delegation from Oklahoma wore red and white checkered outfits to show support for a candidate. Their outfits reflected a western motif. Who couldn't recognize the great state of New Mexico's delegates with their serapes?!

In 1959 the Kathryn M. Milton Scholarship Fund was established. The Grand Lodge Auxiliary provides an educational grant awarded annually through a random drawing for contributing Auxiliaries. Children of FOP members and Auxiliary members are eligible for this grant.

The Auxiliary newsletter, the Journalette, was first published in the early 1960s, and then discontinued for several years, to be reinstated in 1973. At the 30th Biennial Conference held in Phoenix, Arizona the Journalette was officially renamed the "Auxiliary Journal".

Breaking Traditions and Stereotypes in the 1980s

The 1980s brought a time of change, a time of breaking traditions, and tearing down old stereotypes. It was a time to come from behind the bake sale table to the front...to the podium. No longer did the Auxiliary simply conduct the Memorial Service at National Conference but in the early 1980s the Auxiliary President was given the opportunity to address the entire delegation at the Conference gathering!

A program to honor fallen law enforcement officers was established and on May 15, 1982 the first National Peace Officers' Memorial Day Service was held in Senate Park in Washington, D.C. There were approximately 125 in attendance.



FLORIDA FRATERNAL ORDER OF POLICE AUXILIARY MEMBERSHIP APPLICATION

Annual Dues: Dues are paid annually at \$18.00 per calendar year prorated at \$1.50 for each remaining month in the calendar year in which you join (National Per Capita is inclusive).

Meetings: The Florida State Lodge meets in February, June and October. Locations are announced in the State newsletter and online at www.floridastatefop.org.

Application: To the Officers and Members of the Florida Fraternal Order of Police – I hereby make application for active membership to the Florida Fraternal Order of Police. I am a family member of an active Fraternal Order of Police member.

Name: _____

Family Member: _____ Lodge Number: _____

Relationship: _____

Address: _____

City, State, Zip: _____

Telephone: _____ Email: _____

Signature: _____

Please print this application, fill it out and return it with your dues check and mail it to:

Fraternal Order of Police * 242 Office Plaza * Tallahassee, Florida 32301

J.L. Peggs Financial

J.L. "Larry" Peggs, R.F.C.

Larry Peggs is widely known throughout the State of Florida in Municipalities and Law Enforcement Circles, specializing in Retirement, Investment, Insurance, and Tax Planning. As an independent financial professional, he has met with large and small groups, as well as with individuals, regarding the education and implementation of various retirement and estate plans.



Larry is registered with the Financial Industry Regulatory Authority, and is an Investment Adviser Representative of Woodbury Financial Services, Inc., a member of the Financial Industry Regulatory Authority and SIPC, 500 Bielenberg Dr., Woodbury, MN. 55125, 800-800-2638. Woodbury is a member of the Hartford Financial Services Group, one of the largest financial services companies in North America. He was admitted to the International Association of Registered Financial Consultants as a Registered Financial Consultant (RFC), in 1998.

Larry began his financial career in 1970 after majoring in Agricultural Economics and Business Management at Purdue University. He has been a resident of Florida since 1976, when he moved from Indiana with his wife Karen, and their two children.

Larry may be contacted by calling (727) 391-1707, (800) 293-6784, Nextel DC# 158*35*718, or emailing larry@jlpeggs.com. There are no fees for consultations.

Visit the FOP Travel Store on the
Florida State Lodge web site

Your continued loyal support of the Florida FOP entitles you, your family and friends to join us at the *FOP Travel Store* where you will enjoy great competitive rates on all your travel needs that our law enforcement members earn. You receive great rates on airlines, hotels, rental cars and so much more. At the same time, you support the Florida FOP each time you book travel online.

Visit www.ytbtravel.com/fop